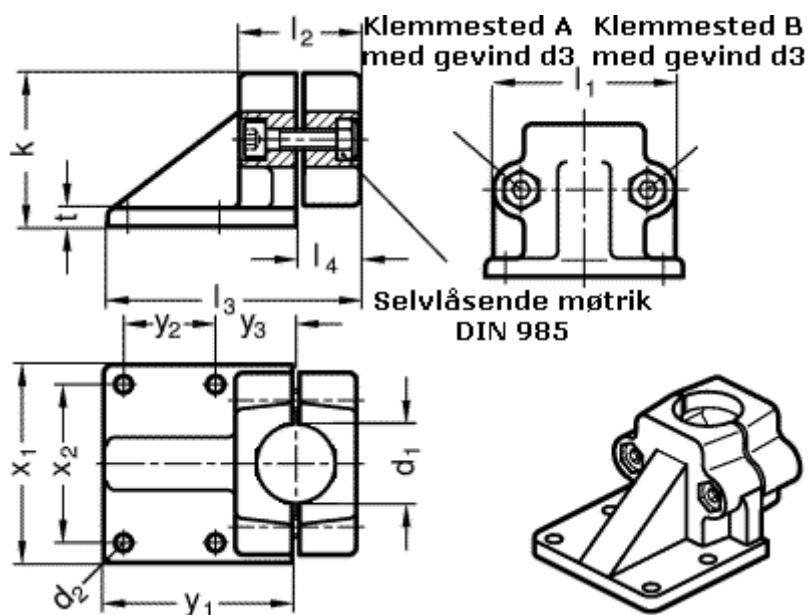


Article number: 20166B452BL

Description: Off-set baseplate clamps GN166-B45-2-BL  
GN166

## Measures



|          |          |
|----------|----------|
| d1 = B45 | t = 14   |
| d2 = 11  | x1 = 115 |
| d3 = M10 | x2 = 90  |
| k = 91   | y1 = 108 |
| l1 = 98  | y2 = 50  |
| l2 = 70  | y3 = 45  |
| l3 = 145 |          |
| l4 = 35  |          |